



# Spring Cone Crusher

Reach new height with KEFID

- The overloading protection system is adopted
- Adoption of The dry oil and water sealing form of safety system
- Applying diversified crushing cavity
- Crushing and discharging proceed simultaneously





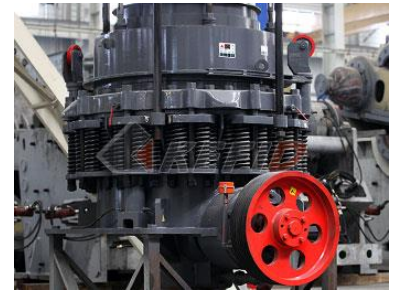
As China's largest crushing plant, mill equipments and beneficiation plants production base, kefid has exported large quantities and high-end mobile crushing plant and milling equipments to Russia, Kazakhstan, Indonesia, Ecuador, South Africa, Saudi Arabia , Oman more than 100 countries and regions and have solved about thousands of and beneficiation projects all over the world, which has made tremendous contributions to the local construction, mining industry and developments.

Compared with jaw crusher, spring cone crusher has the advantage of low operation costs, high productivity, easy adjustment and stable structure. Cone Crusher can be used for secondary and fine crushing of hard and medium hard mineral stone, such as iron ore, copper ore, quartz, granite, basalt and dolerite, etc. The spring safety system of spring cone crusher serves as an overloading protection system that keeps cone crusher from metal damage. The dry oil and water sealing form of safety system is adopted to make plaster powder and engine oil separate to guarantee reliable performance.



# PYT Series Spring Cone Crusher is one the earliest Cone Crusher

- 1.High productivity.**Spring cone crusher breaks material easily by squeezing or compressing it between convex and concave,and the bigger crushing force improve the productivity.
- 2.Lower operation cost.**The continuous motion of conecave and the alternate procession of crushing and discharging reduce the down time and operation cost.
- 3.Well-distributed final products.**Final products with good shape.
- 4.Longer service time.**The dry oil and water sealing form of safety system is adopted to make plaster powder and engine oil separate to guarantee reliable performance.
- 5.Widespread use.**The standard type is applied to secondary crushing; the medium type is applied to fine crushing; the short head is applied to super fine crushing.





## Mobile Secondary Crushing & Screening Plant-Mobile Spring cone crusher & Screening Plant

### Main Features

Add the adjustable function of vibrating screen installation angle, and strengthen the whole machine's production capacity.

Flexible and motorized parking function, and start the work mode quickly.

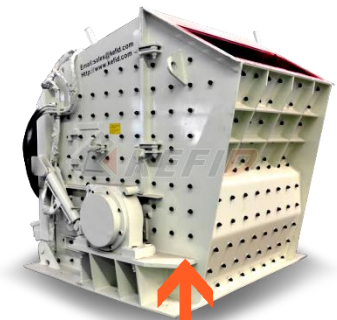
Possess the crushing unit interchangeable system and screening unit interchangeable system, satisfy different kind of production need.

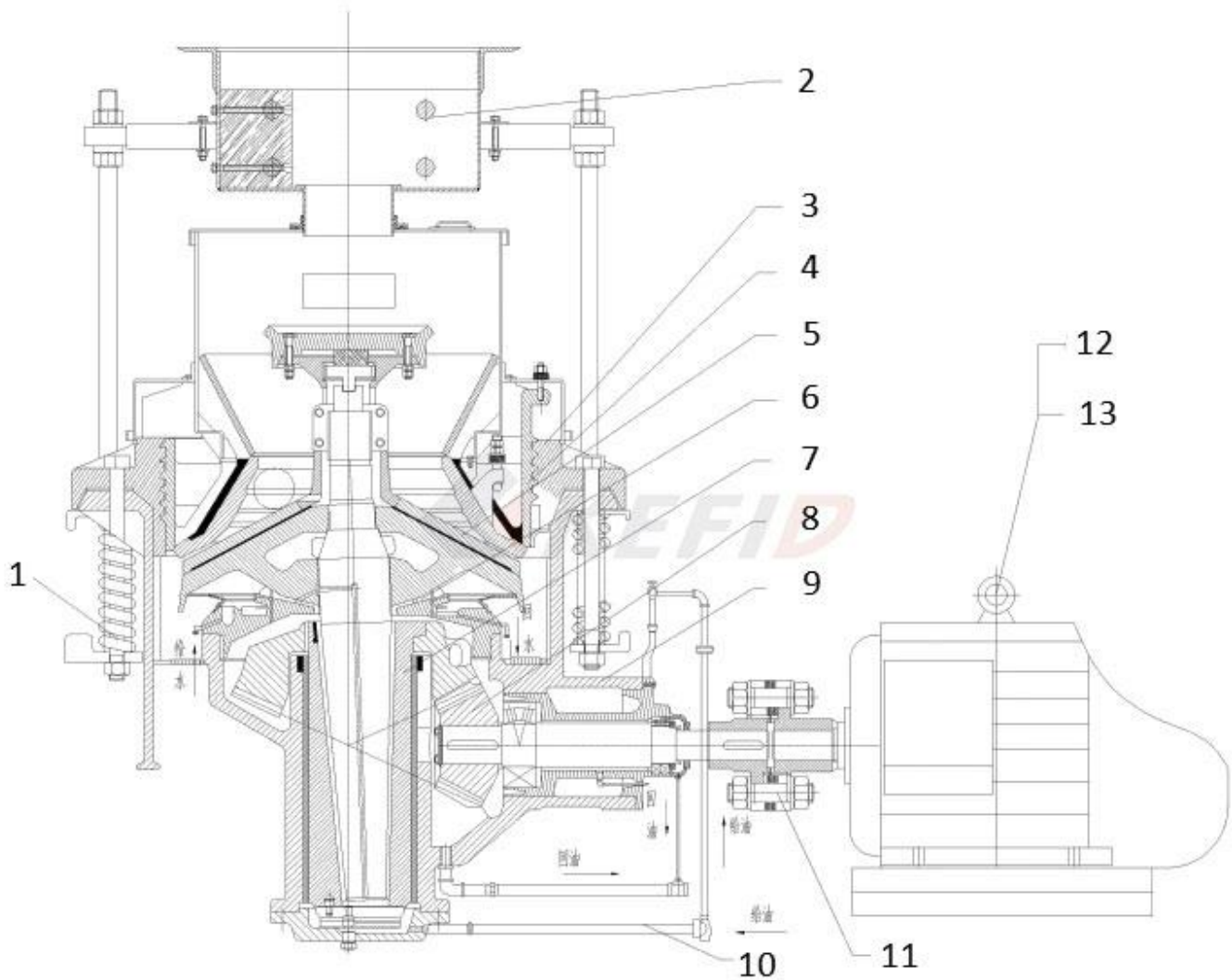
### Anytime, anywhere, transformation and upgrade

Mobile Cone Crusher is another kind of mobile crushing unit, mainly to satisfy different requirement of final products. Cone crusher replaces impact crusher to produce much harder and fine stone or sand products.

### Extended functions

**Impact crusher and cone crusher interchange system:** One automobile body is common used in multiple type of machine, crushing unit interchange system and screening unit interchange system, only need to invest on single machine, in a short time, crushing unit interchange system and screening unit interchange system used in the same automobile body can be come true in the mine site, all the system in the overall unit match perfectly.





- |                         |                         |
|-------------------------|-------------------------|
| 1- Spring               | 8- Transmission devices |
| 2- Feeding hopper       | 9- Frame                |
| 3- Adjusting sleeve     | 10- Frame               |
| 4- Adjusting device     | 11- Coupling            |
| 5- Crushing cone device | 12- Motor               |
| 6- Socket liner         | 13- Foundation          |
| 7- Eccentric sleeve     |                         |

# Spring Cone Crusher Main Technical Data

Type		Max. input (mm)	Adjusting range of output (mm)	Capacity (t/h)	Motor power (kW)	weight (t)	Overall dimensions (LxWxH)(mm)
PYB	900	115	15-50	50-90	55	10.2	3050x1640x2350
PYZ		60	5-20	20-65		10.2	
PYD		40	3-13	15-50		10.3	
PYB	1200	145	20-50	110-200	110	24.7	4152x2300x2980
PYZ		100	8-26	50-150		25	
PYD		50	3-15	18-105		25.6	
PYB	1750	215	25-60	280-480	160	50.3	4870x3800x4192
PYZ		185	10-30	115-320		50.3	
PYD		85	5-15	75-230		50.4	
PYB	2200	300	30-60	590-1000	260-280	80	7705x3430x4852
PYZ		230	10-30	200-580		80	
PYD		100	5-15	120-340		81.4	

Note: Any change of Cone Crusher technical data shall not be advised additionally.



## The Analysis of Large-scale Sand Production Line



### Kefid **250tph** riverstone crushing line in Jamaica



**MATERIAL :** riverstone

**OUTPUT SIZE :** 0-6mm, 6-19mm, 19-25mm

**CAPACITY (TPH) :** 250T/h

**EQUIPMENT :** 3YZS1860 Vibrating screen, PF1315 impact crusher、ZSW1100×4200vibrating screen、PE900×1200jaw crusher、PYZ1750cone crusher、VSIB9526 B Series VSI Crusher、3YZS2160 vibrating screen、XSD2610sand washing machine、belt conveyor.

### Kefid **150-200tph** riverstone crushing line in Algeria



**MATERIAL :** riverstone

**FEEDING SIZE:**80mm

**OUTPUT SIZE :** 0-3mm, 3-8mm,8 -15mm, 15-25mm

**CAPACITY (TPH) :** 150-200T/h

**EQUIPMENT :** PYB900cone crusher、VSIB8518 sand making machine、2YZS2460vibrating screen、2YZS1860vibrating screen、2YZS1848vibrating screen、LSX920 Screw Sand Washing Machine、2LSX920Screw Sand Washing Machine、Belt conveyor



## The Strength of Kefid

Kefid Machinery is a leading and pioneering enterprise with the most advanced international level in R&D, manufacturing and selling of large-scale crushing & screening plants and beneficiation plants. Located in a historic city and transportation hub in central China-Zhengzhou, covering 140 thousand square meters, Kefid has Shangjie and High-tech zone two production bases. Shangjie Zone which covers 80,000 square meters has three heavy-duty and modern integrated assembling workshops--occupying 50,000 square meters; High-tech zone has 22 floors R&D Management laboratory building with 26,000 square meters, comprehensive equipments exhibition hall with 5,100 square meters, heavy-duty and modern integrated assembling workshop with 10,000 square meters, and also has the industry's most advanced machining workshop 20,000 square meters, and hundred sets of advanced large-scale vertical lathe, fixed lathe, planner, boring lathe, grinder and milling machines.





## SERVICE-With Me- Enjoy your pleasant journey

Your profit is our greatest concern and your praise is the biggest compliment that we diligently strive for. Our aim is, with the core of service, tailored for you the most valuable products with comprehensive pre-sale, sale and after sale service.

**Tel:** 0086-371-67999255

**Email:** Sales@kefid.com



## SPARE PARTS

### CS Cone Crusher



Mantle



Taper sleeve



Pressing cap



Bowl liner



Eccentric sleeve

### Crushing Plant



Rotor Assembly



Liner Board



Hammer Bar



Wedge



Impact Plate

### Sand-making Equipment



Circum Guard plate



Impact Plate



Impact Block



Hammer



wearproof Plate

## PRODUCT LIST

### Stationary Crushers

JC Series Jaw Crusher

Jaw Crusher

C6X Series Jaw Crusher

Primary Impact Crusher

CI5X Series Impact Crusher

Impact Crusher

CS Cone Crusher

Spring Cone Crusher

HPT Cone Crusher

Deep Rotor VSI Crusher

B Series VSI Crusher

VSI6S vertical shaft impact crusher

### VU System Equipment

Dry Sand Making System

Dry-Mixed Mortar Sand Making Equipment

Concrete-Use Sand Making Equipment

### Grinding Mills

Ultra Fine Vertical Grinding Mill

VM - Vertical Grinding Mill

European Tech. Grinding Mill

Micro Powder Mill

Raymond Mill

Ball Mill

### Washing & Screening

F5X Heavy Vibrating Feeder

Screw Sand Washing Machine

Wheel Sand Washing Machine

Vibrating Feeder

Belt Conveyor

### K series mobile plants

Primary mobile crushing plant

Mobile Secondary Crushing & Screening Plant

Independent Operating Combined Mobile Station

Fine crushing and screening mobile station

Fine crushing & washing mobile station

Three combinations mobile crushing plant

Four combinations mobile crushing plant

### Crawler Mobile Crusher

### Ore Beneficiation

Jaw Crusher

HPT Cone Crusher

Ball Mill

Rotary Kiln

Flotation Machine

High Gradient Magnetic Separator

**Address:** National HI-TECH Industry Development Zone.Zhengzhou,China.

**Tel :** 0086-371-67999255(24 Hour) / 67988500

**Fax:** 0086-371-67998980

**Zip code:** 450001

**Email:** sales@kefid.com

**Web:** <http://www.kefid.com>

